

DATA SHEET



+230°C



RFO HT 2626 High temperature & Chemical resistant UHF Tag

Product Description

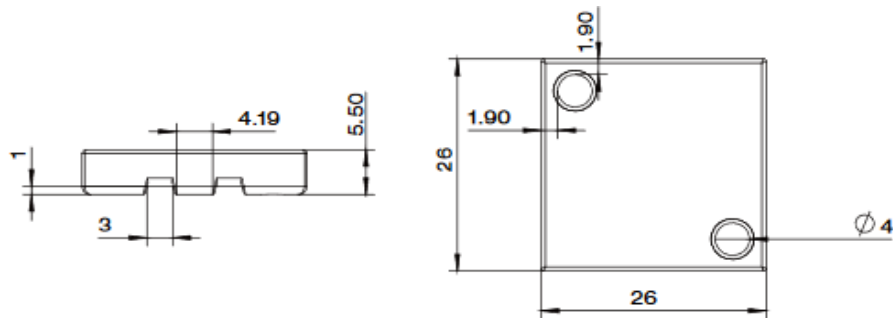
General specifications

The RFO-HT2626 RFID tag is developed for chemical resistant solutions.

It is designed to meet challenges associated with industrial, automotive and medical laboratory applications – where resistance to moisture and solvents are a must.

Our RFO-HT2626 acid and base-resistant tags can resist and work well in the environment of Fuel B, mineral oil, petroleum, salt mist and vegetable oil.

Dimension



Article no:

RFO-HT2626

Typical Applications

- | | | |
|------------------------------|---------------------------|-------------------------|
| • Bicycle / Vehicle Tracking | • Trace & Track | • Factory automation |
| • Electronic Toll Collection | • Supply Chain Management | • Automotive & Security |
| • Maintenance | • Healthcare | • Production |

Contact:
rfvertrieb@radioforce.net
www.radioforce.net

DATA SHEET



RFO HT 2626 High temperature & Chemical resistant UHF Tag

Technical Specifications	RFO-HT2626 Chemical resistant UHF Tag
--------------------------	---------------------------------------

Operation mode	Passive (Battery less)
Protocol	EPC Class 1 Gen2
ISO Standard	ISO 18000-6C
Operating Frequency	865-868MHz (EU) 902-928MHz (FCC)
Memory	EPC: 96 Bit (up to 480bits) User: 512 Bit TID: 64 Bit
IC Type	Alien Higgs-3
Programming Cycle	100,000 cycles

Environmental Specifications	
------------------------------	--

Storage Temperature	-40°C to +150°C (230°C for 30 minutes, 180°C for 120minutes)
Operating Temperature	-40°C to +100°C
Material	PPS shell, PCB Antenna
Dimensions	26 x 26 x 5.5 mm, (Hole: D4mmx2)
Withstands Exposure To	Fuel B, mineral oil, petroleum, salt mist, vegetable oil
Weight	max 6.5g
Mounting	Adhesive, Screw, Binding
Ingress Protection	IP68

